

**FSC 2.0**



## SuperCut



### SERVICE

**Tool service and maintenance must be performed only by qualified repair personnel.**

**When servicing a tool, only use identical replacement parts available from FEIN.**

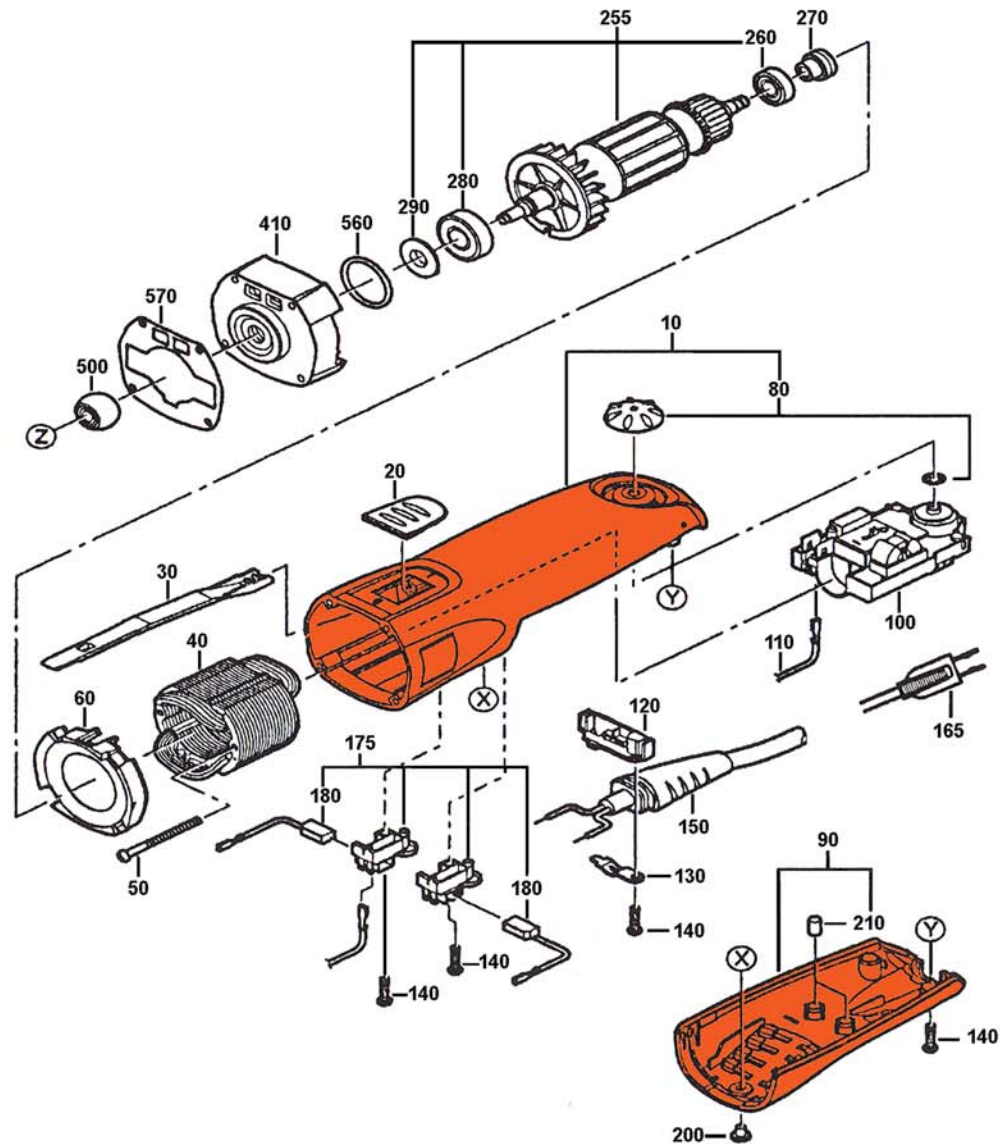
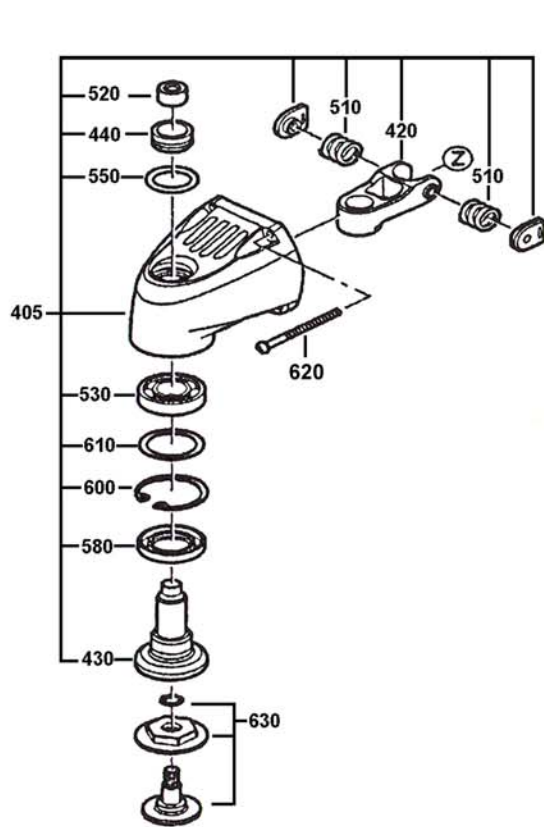
Repairs on FEIN Power Tools required the use of special tools (pulling devices and bearing press). Authorized repair centers have trained repair technicians and equipment necessary to perform these repairs. Service or repairs performed by unqualified persons could result in operator injury.

For the location of the repair center near you, please call 1-800-441-9878. Monday thru Friday, 9AM to 5PM EST. Or, look on our web site at [www.feinus.com](http://www.feinus.com) and follow the link to "Authorized Warranty Repair Centers"

**FEIN Power Tools  
1030 Alcon Street  
Pittsburgh, PA 15220**

Phone: 412-922-8886 Fax: 412-922-8767 Toll Free: 1-800-441-9878

February 15, 2006



**SuperCut**  
**Model: FSC 2.0**

## Fein Power Tools

### FSC 2.0 Parts List

| <u>Item</u> | <u>Item Number</u> | <u>Description</u>             | <u>Reqd</u> |       |
|-------------|--------------------|--------------------------------|-------------|-------|
| 10          | 3-19-01-139-01-5   | MOTOR HOUSING                  | 1           | _____ |
| 20          | 3-28-05-195-00-1   | SWITCH SLIDE                   | 1           | _____ |
| 30          | 3-28-16-060-00-1   | SWITCH ROD                     | 1           | _____ |
| 40          | 5-1-274-006-11-4   | FIELD COIL - 110V              | 1           | _____ |
| 50          | 4-30-70-014-00-0   | SCREW                          | 2           | _____ |
| 60          | 3-14-28-151-00-9   | AIR CONDUCTING RING            | 1           | _____ |
| 80          | 3-28-05-194-01-6   | SPEED BUTTON SET               | 1           | _____ |
| 90          | 3-24-27-120-01-1   | COVER REPAIR SET               | 1           | _____ |
| 100         | 3-07-62-266-99-1   | ELECTRONIC - 110V              | 1           | _____ |
| 110         | 3-07-19-619-01-3   | CONNECTION CABLE               | 1           | _____ |
| 120         | 3-24-31-044-00-0   | CABLE CLAMP                    | 1           | _____ |
| 130         | 3-24-31-043-00-2   | CLAMP BRIDGE                   | 1           | _____ |
| 140         | 4-30-70-038-00-7   | SCREW                          | 5           | _____ |
| 150         | 3-14-13-225-00-3   | PROTECTIVE SLEEVE              | 1           | _____ |
| 165         | 3-07-07-101-01-2   | CABLE                          | 1           | _____ |
| 175         | 3-07-12-091-02-4   | BRUSH HOLDER SET               | 1           | _____ |
| 180         | 3-07-11-146-00-1   | CARBON BRUSH                   | 2           | _____ |
| 200         | 4-30-41-040-04-8   | SCREW                          | 1           | _____ |
| 210         | 3-14-15-095-00-9   | PLUG                           | 2           | _____ |
| 255         | 5-3-274-010-11-3   | ARMATURE - FSC 2.0 - 110V      | 1           | _____ |
| 260         | 4-17-01-001-03-2   | BEARING                        | 1           | _____ |
| 270         | 3-14-28-152-00-2   | MAGNET                         | 1           | _____ |
| 280         | 4-17-01-007-03-8   | BALL BEARING                   | 1           | _____ |
| 290         | 3-26-03-037-00-9   | BALANCING RING - FSC 2.0       | 1           | _____ |
| 405         | 3-15-08-253-01-8   | GEAR HOUSING                   | 1           | _____ |
| 410         | 3-15-06-369-02-2   | INTERMEDIATE HOUSING - FSC 2.0 | 1           | _____ |
| 420         | 3-32-18-119-00-2   | LEVER                          | 1           | _____ |
| 430         | 3-34-06-296-00-5   | DRIVE SHAFT                    | 1           | _____ |
| 440         | 3-05-07-234-01-0   | BUSHING                        | 1           | _____ |
| 500         | 4-17-06-041-00-5   | NEEDLE BEARING                 | 1           | _____ |
| 510         | 3-09-01-359-00-7   | SPRING                         | 2           | _____ |
| 520         | 4-17-05-039-00-9   | NEEDLE BEARING                 | 1           | _____ |
| 530         | 4-17-01-010-05-4   | BALL BEARING                   | 1           | _____ |
| 550         | 4-06-12-024-00-9   | SEALING RING                   | 1           | _____ |
| 560         | 4-06-12-093-00-4   | O-RING                         | 1           | _____ |
| 570         | 3-06-10-035-00-2   | SEAL                           | 1           | _____ |
| 580         | 4-06-08-072-00-5   | SEALING RING                   | 1           | _____ |
| 600         | 4-26-16-027-00-9   | SECURING RING                  | 1           | _____ |
| 610         | 4-24-46-016-00-3   | WASHER                         | 1           | _____ |
| 620         | 4-30-74-001-00-0   | SCREW                          | 4           | _____ |
| 630         | 3-30-01-039-01-7   | BLADE SCREW                    | 1           | _____ |